



AMAZONE

Trailed cultivator drill ***Cirrus Grand***



Cirrus Grand trailed cultivator drill

New standards in precision and output



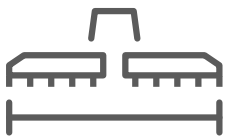
High performance and precise application of seed and fertiliser

Designed for solving current and future challenges in agriculture, the Cirrus Grand is characterised by its precise, flexible and efficient operation. With a working width of 9 m and a hopper size of 5,750 l, the Cirrus Grand is extremely efficient.

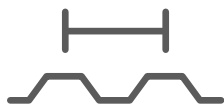


	Page
The advantages at a glance	4
Hopper	6
Cirrus-C Metering	8
Disc element	10
Reconsolidation	12
Segmented distributor head	14
Individual row shut-off	16
TwinTeC plus double disc coulter	18
ISOBUS	20
Technical data	22

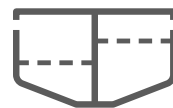
Cirrus Grand trailed cultivator drill



9 m



16.6 cm



5,750 l



up to 16 km/h

The advantages at a glance:

- + Effective sowing**
Twin-chamber hopper and high application rates of up to 400 kg/ha.
- + Precision over the entire width**
Distributor head with individual row shut-off for minimal overlapping to provide vigorous crops and a reduction in the cost of seed and fertiliser.
Even field emergence owing to precise depth placement with TwinTeC plus double disc coulters.
- + Perfect growing conditions for the crop**
High field emergence due to Matrix tyres with their strip-wise reconsolidation.
- + Comfortable on the move**
Safe road transport at up to 40 km/h as a result of a double-axle chassis.
High manoeuvrability in the field provided by the individual suspension.
- + Flexible filling**
Hopper capacity optimised for big bags with high excess capacity for a reduction in turn-round times.
- + Operator friendliness**
Remote control of coulter pressure and sowing depth via the ISOBUS terminal.

MORE INFORMATION
www.amazone.net/cirrus-04



PRODUCT FILM
Find out more

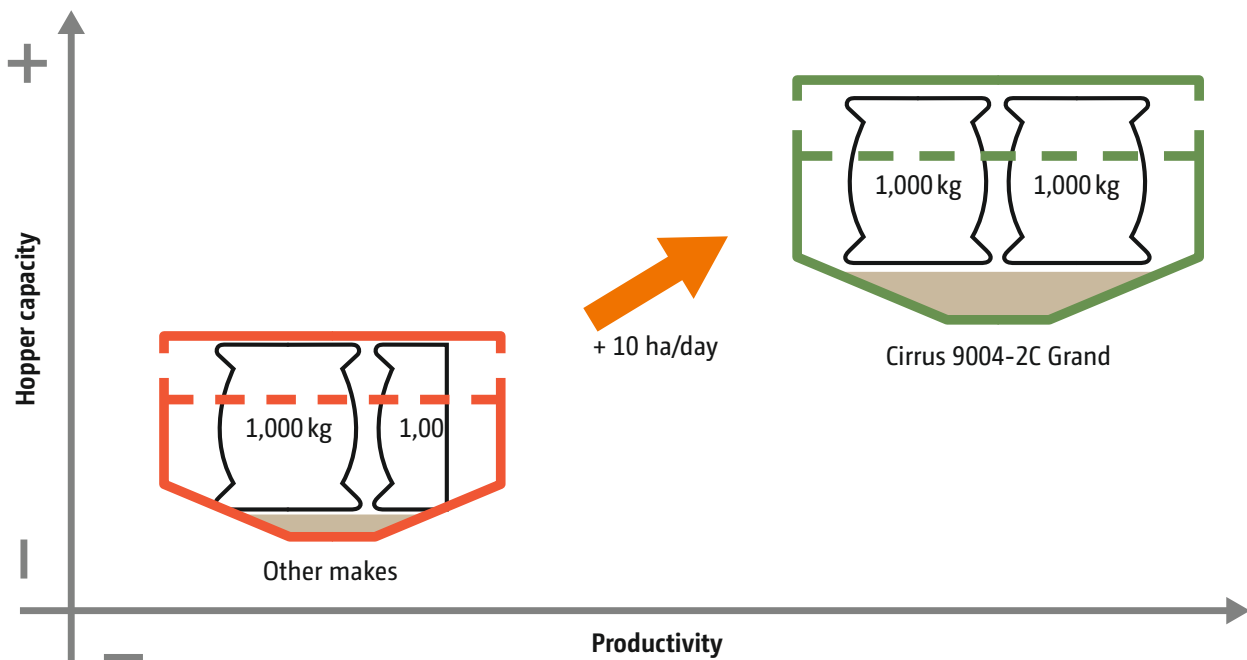


Hopper

Good line of sight in the field and on the road



The new Cirrus 04 trailed cultivator drill: Precise – Flexible – Efficient



The productivity increase provided by a hopper with excess capacity optimises the logistics concept and reduces turn-round times



Excellent accessibility of the hopper

Twin outlet pressurised hopper

As standard, the Cirrus 9004-2C Grand is equipped with a twin-chamber hopper, which is split in a ratio of 60:40. The total hopper capacity, which is optimised for big bags and comes with sufficient overcapacity, is 5,750 l. The overcapacity means that it can be filled when convenient. The hopper can always accommodate the entire contents of a big bag, even with large residual amounts. This simplifies seed logistics, since the time of filling can be more flexible.

Perfect application

The twin-chamber hopper enables the separate metering of different types of seeds or fertiliser. The two hopper chambers can be filled with just one material, if required, for maximum output. Exact distribution is guaranteed by the pressurised hopper system with its high-performance conveying system. Up to 400 kg/ha can be efficiently applied at a working speed of 15 km/h. Furthermore, the low power requirement of the blower fan underlines the enormous efficiency of the machine. A TwinTerminal can be used for the simple and precise calibration of the metering unit.



Half-side folding during loading considerably reduces the loading reach and also allows the machine to be filled via smaller telescopic loaders

Cirrus-C

With twin outlet pressurised hopper and a single placement point – single-shoot

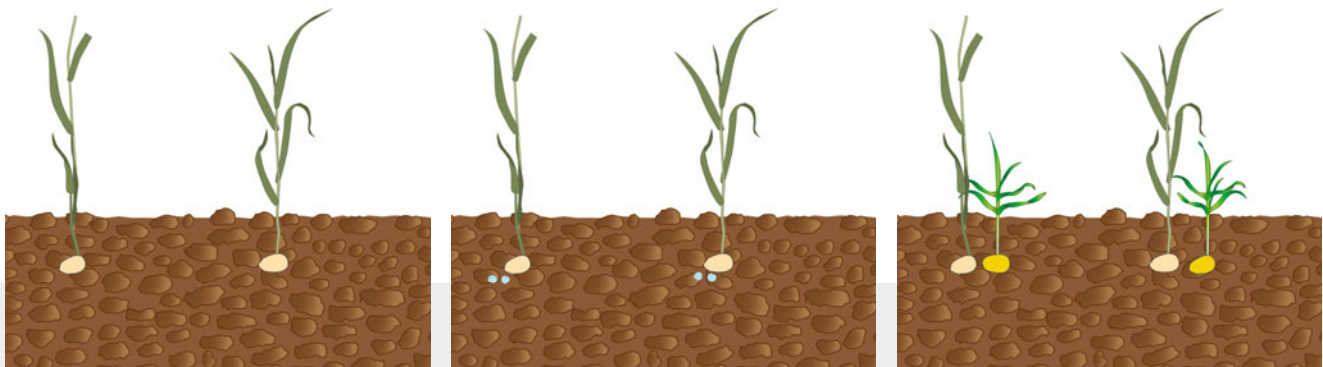


Cirrus 9004-2C Grand sowing utilising the single-shoot process

Flexibility for versatile farming

In general, the materials metered from both hopper chambers are sown by the same conveying system using the single-shoot process. If, for instance, fertiliser is also to be applied with the seed, the Cirrus-C offers the option of

metering two different materials. As a result, either two crops or one seed type and one fertiliser type are embedded in the seed furrow using the single-shoot system.



Seed only

Single-shoot:
sowing seed with fertiliser at one
placement depth

Single-shoot:
sowing two seed types at one
placement depth

The metering makes the difference

Simple, central and convenient adjustment. Perfect metering



Accurate metering drive

The metering system is suitable for all seeds and seed rates from 1.5 to 400 kg/ha. Metering cassettes with a high capacity mean that they have low peripheral speeds and thus protect the seed from damage. Conversion from fine seeds to normal seeds is carried out in seconds by exchanging the metering cassettes. They can even be changed when the seed hopper is full. The metering cassettes supplied as standard cover up to 95 % of all seed types. Additional cassettes are available, for instance, for maize or specialist crops.



Comfort-Pack 1 with TwinTerminal 3.0

In order to make pre-metering, calibration and emptying of any residual amounts even easier, AMAZONE offers Comfort-Pack 1 with TwinTerminal 3.0 for the Cirrus in conjunction with an ISOBUS terminal. The TwinTerminal is mounted directly on the seed drill near the metering units. The location of this offers a decisive benefit: The driver can perform the calibration operation and input the data for the calibration directly into the machine and no longer has to repeatedly get on and off the tractor. The TwinTerminal 3.0 consists of a water- and dust-proof housing with a 3.2" display and 4 large keys, which can also be operated with gloves.



Maximum effectiveness

Seedbed preparation and sowing in just one pass



Sowing combination with 2-row disc element

As standard, the Cirrus-C is equipped with a 2-stagger disc element for seedbed preparation. The discs have a diameter of 460 mm. This is ideal for creating a fine crumbed structure in the soil and incorporating organic material. The

working depth of the disc element can be adjusted on the move. Via a series of holes, the end discs can be adjusted individually to ensure a level finish between bouts.



Fine-serrated disc – 460 mm



Coarse-serrated disc – 460 mm

Selecting the correct disc – Coarse or fine

Two options are available for the disc element: a fine-serrated disc or a coarse-serrated disc. A steep angle of attack for the discs ensures a particularly intense mixing.

Fine-serrated discs

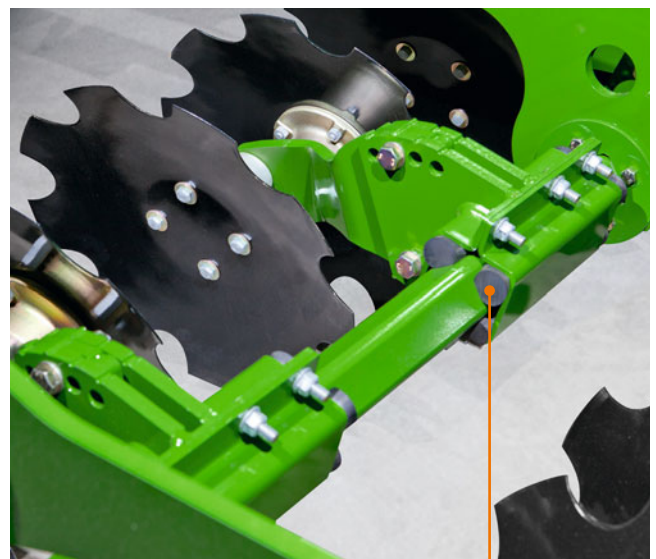
The fine-serrated disc shows its strengths in shallow seed-bed preparation. It provides more fine soil for good seed embedding.

Coarse-serrated discs

The coarse-serrated disc provides a more intensive soil movement. Due to its profile, extremely effective incorporation, including the mulching of harvest residues, is achieved.

Rubber suspension elements – reliable and maintenance-free

The disc system combines two discs mounted on one arm which is suspended via sprung rubber blocks and which optimally follows the ground contours. In addition, the rubber sprung buffers act as an overload safety device on stony soils. This means that the operational reliability is increased and turn-round times are reduced. The heavy clamping set-up ensures a consistent working depth.



Rubber suspension elements

Reconsolidation in strips

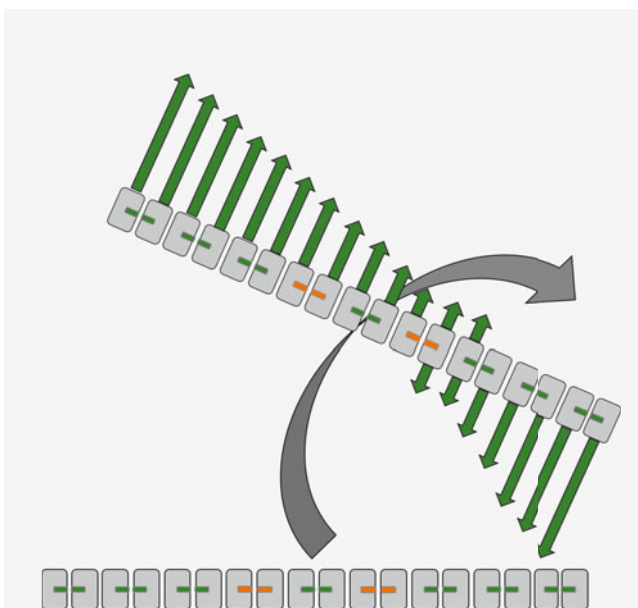
The best conditions for even field emergence

Optimum technology for enhanced field emergence

The Matrix tyres enable even and high field emergence. With dimensions of 400/55R17.5, these tyres feature a diameter of 860 mm with a width of 400 mm.

The high diameter combined with a special tread generates a higher self-driving effect in comparison to machines with an AS profile.

Furthermore, the independent suspension enables the machine to be pulled around curves and manoeuvred in field corners with minimal effort. This low-stress turning process protects the machine from excessive load and wear. Furthermore, the soil is prevented from being bulldozed and pushed up when working around bends. Consistent seedbed quality and maximum soil structure protection are ensured.



Each wheel turns independently of the others and can flexibly adjust the running speed and direction with a turning angle of up to 90°.

Road transport is fast and safe

The Matrix tyres not only produce an optimum seedbed but also serve as transport wheels. The machine is characterised by a high driving stability, even at a transport speed of 40 km/h. This is possible because the machine only runs on 4 wheels of the tyre packer. The high carrying capacity of the wheels allows the middle pair of wheels to be lifted up (between the 4 transport wheels).

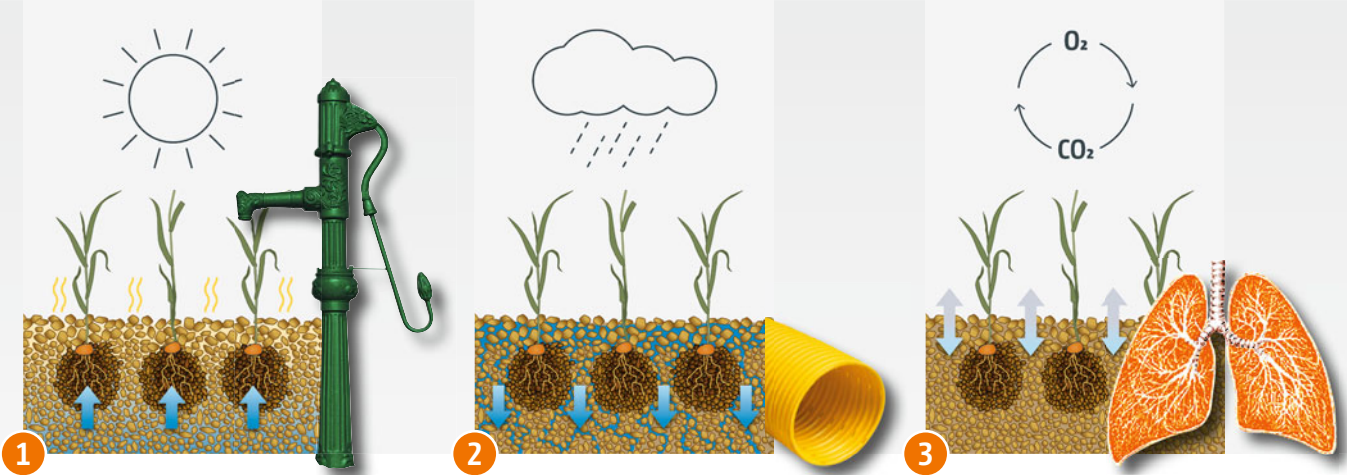
Reconsolidation in strips – for optimal growth conditions

Optimum and uniform growth conditions for all plants are the basis for a quicker and more even field emergence.

These are obtained by means of a fine crumbed seedbed reconsolidated in strips. Apart from the use of the various pre-working tools, the Matrix tyre is of great importance in this respect. On the one hand, it produces even more fine soil to cover the seed, but, most importantly, its special shape provides the desired reconsolidation in strips.

Advantages of a seedbed reconsolidated in strips

- ✔ Uniform growth conditions for all plants
- ✔ The seed has access to the capillary soil water
- ✔ Prevention of constantly wet conditions after heavy rainfall
- ✔ Guaranteed gaseous exchange
- ✔ All these advantages of reconsolidating in strips provide an even, high field emergence!

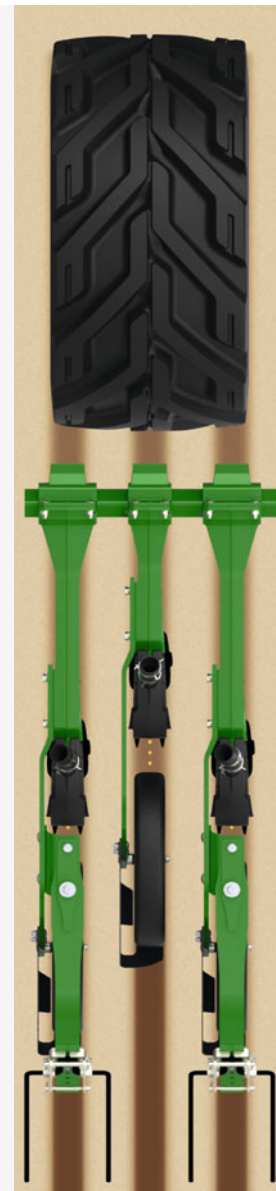


Sowing insurance!

- 1) **In very dry conditions – the water pump principle:**
The reconsolidated strips provide soil contact directly under the seed furrow. In this way, capillary water reaches the seedling even in dry weather. Reconsolidation in strips ensures that your soil works as a water pump. Every drop counts!
- 2) **In very wet conditions – the drainage principle:**
Loose soil easily absorbs any rain and stores it. Rain from heavy downpours simply soaks into the unrolled, loose areas. Soil erosion is thereby prevented. In this case, the soil works like a drain. Even on heavy wet ground, there is enough unconsolidated soil available between the rows to cover the seed with loose soil.
- 3) **Gaseous exchange – the lungs principle:**
The loose soil also enables gases to be exchanged, so that the roots can breathe.

✔ Reconsolidation in strips

Matrix tyres create a well reconsolidated strip in comparison to tyres with an AS profile. This is a key advantage, which has a very positive effect on the smooth running of the sowing coulters.



Row spacing 16.6 cm



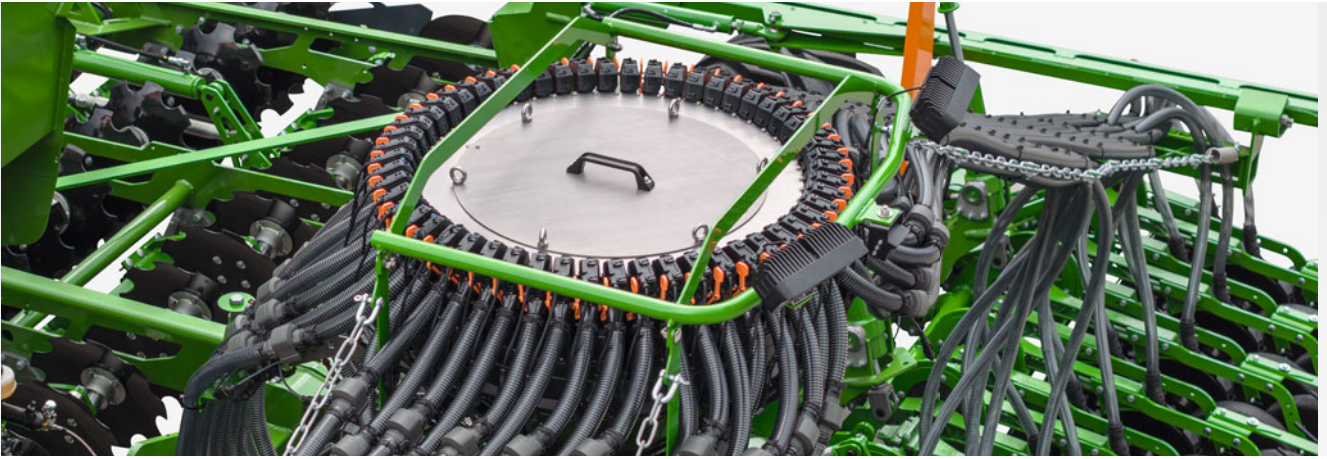
Plants at a row spacing of
16.6 cm

Maximum flexibility

High level of flexibility with intelligent distributor head



Cirrus 9004-2C Grand with individual row shut-off for maximum reduction in the use of seed and fertiliser



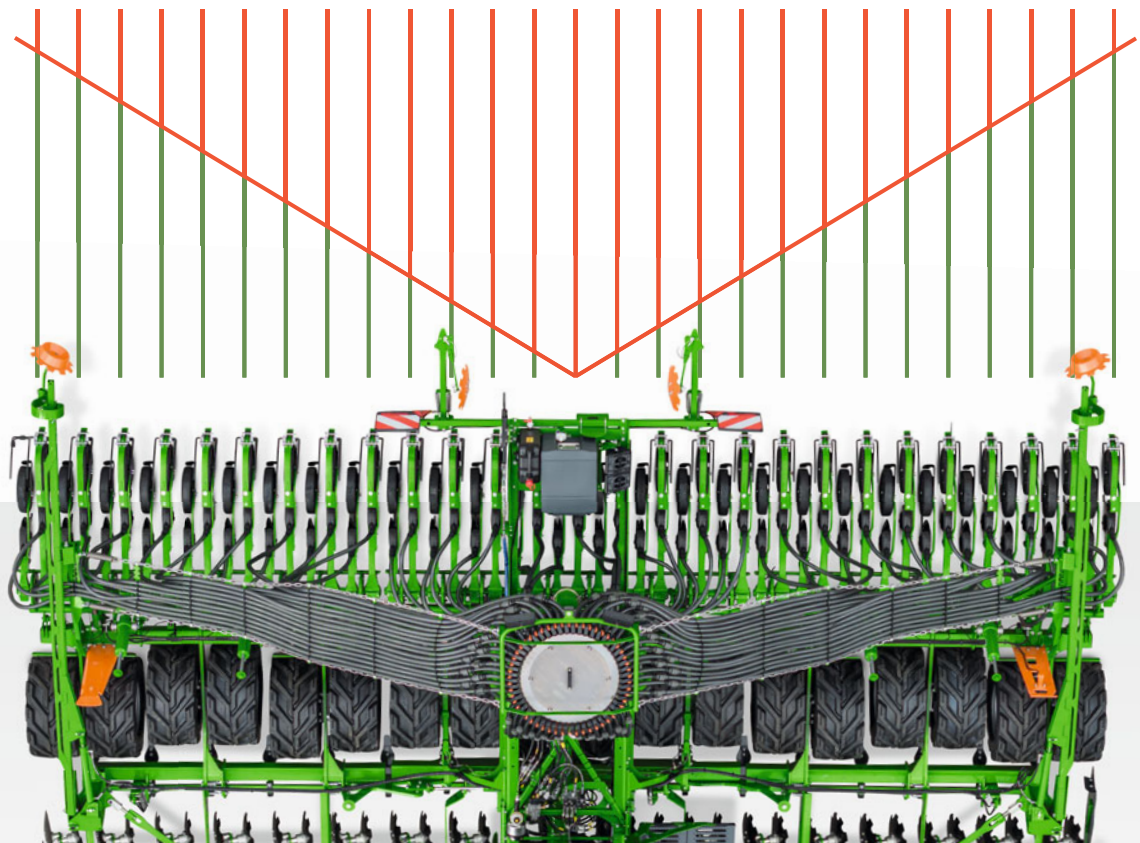
Large distributor head with individual row shut-off

Distributor head – Precision down to the last corner

The new distributor head provides excellent lateral distribution. The single row shut-off ensures high sustainability via a reduction in the use of seed and fertiliser. The distributor head can be easily tailored to any symmetrical and asymmetrical tramline systems, as well as track widths and tyre widths via the ISOBUS terminal, in order to create a tramline. Mechanical intervention is not required. Since the supply hoses to the outer coulters are longer than the inner ones, time-delayed opening and closing (V compensation) of the individual row shut-off reduces additional overlaps on the headland. When starting, the rows are initially supplied with seed from the outside to the inside, and from the inside to the outside during the shutting-off process.

The benefits:

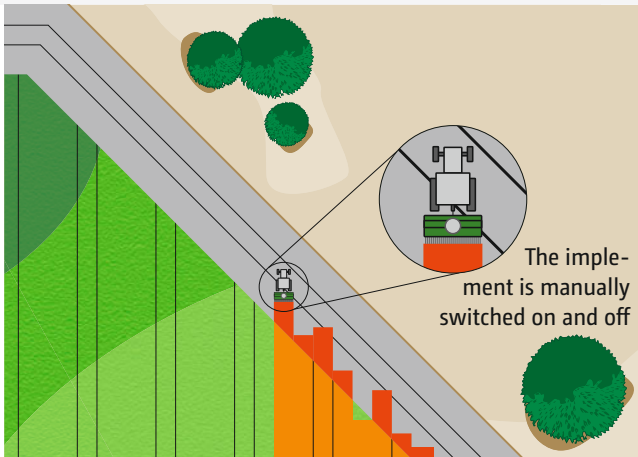
- ✔ Very low level of overlap for vigorous crop development in overlap zones
- ✔ Reduction in the use of inputs due to the single row shut-off



Distributor head with individual row shut-off



Maximum savings thanks to the distributor head with individual row shut-off



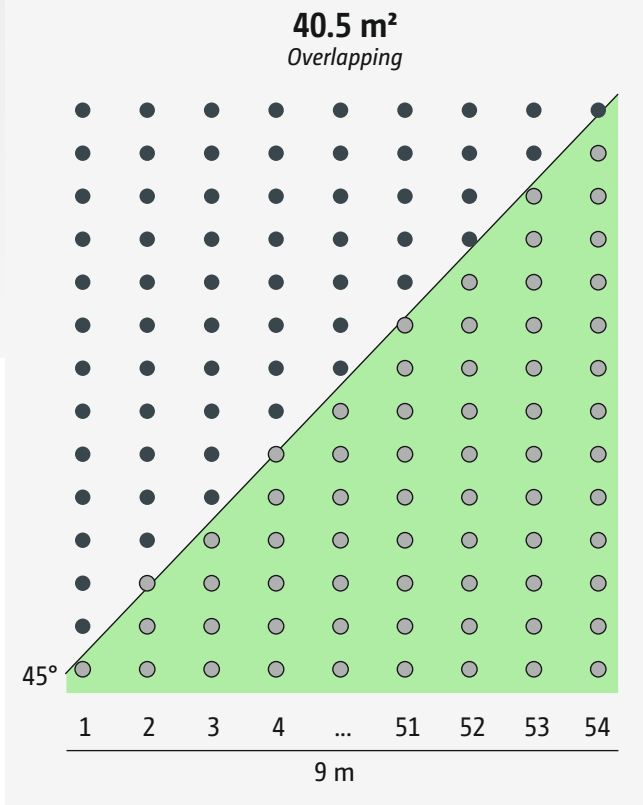
Over- or under-sowing with manual on/off control without GPS-Switch pro

GPS-Switch pro

With GPS-Switch, AMAZONE offers GPS-based, fully automatic, part-width section control for all AMAZONE operator terminals and ISOBUS-compatible fertiliser spreaders, crop protection sprayers or seed drills.

GPS-Switch pro (as an extension of GPS-Switch basic)

- ✔ Automatic part-width section control with up to 128 part-width sections
- ✔ Marking of obstacles (e.g. water holes, pylons)
- ✔ Auto-zoom when approaching the headland
- ✔ Optional with AmaTron 4

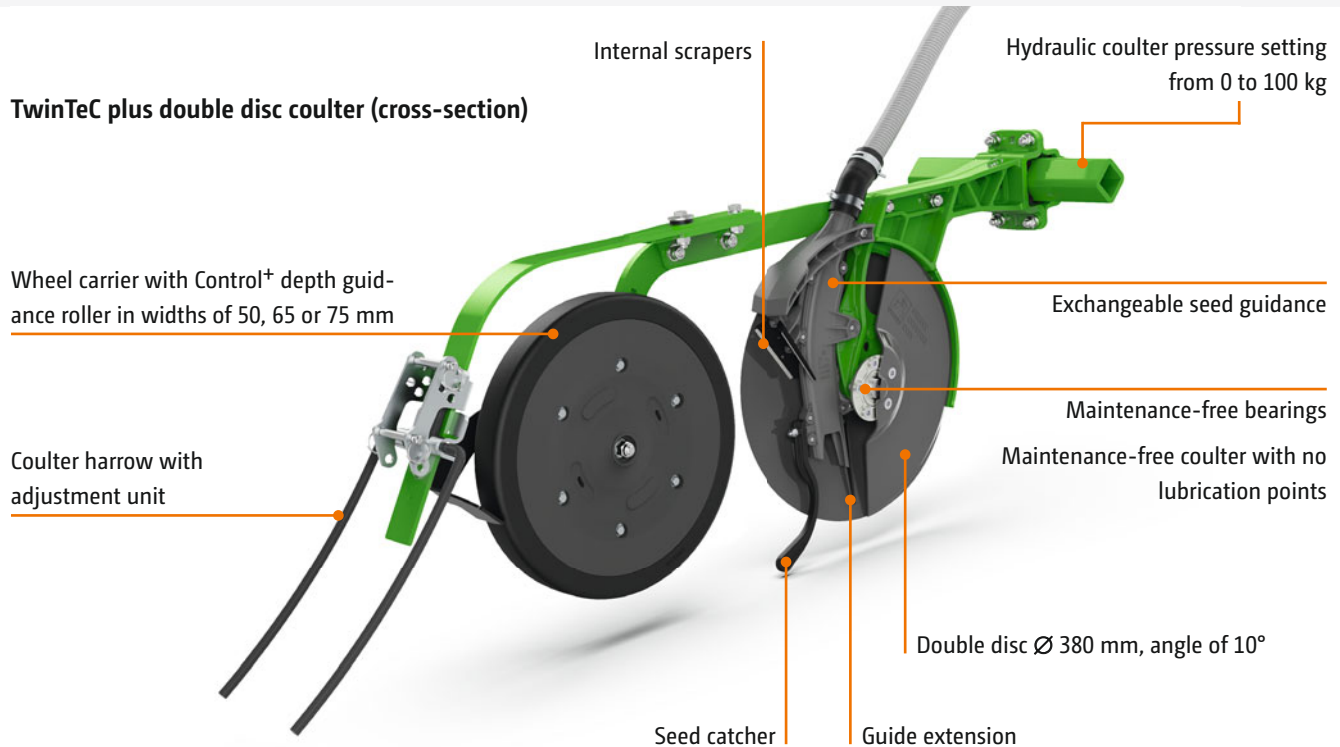


Maximum reduction in the use of fertiliser and seed with individual row shut-off

The individual row shut-off of the Cirrus Grand offers the perfect solution to prevent over-sowing in headlands and wedge-shaped fields. Each row can be separately switched on or off. The rotational speed of the metering units is automatically adjusted to the number of the open flaps. Extremely vigorous crops develop as a result of the spot-accurate shut-off, especially in the overlap zones, since no areas are double sown. Overlaps are restricted to less than 1 % of the area with this system.

TwinTeC plus coulters

The high-output double disc coulters



Smooth running, rugged and maintenance free

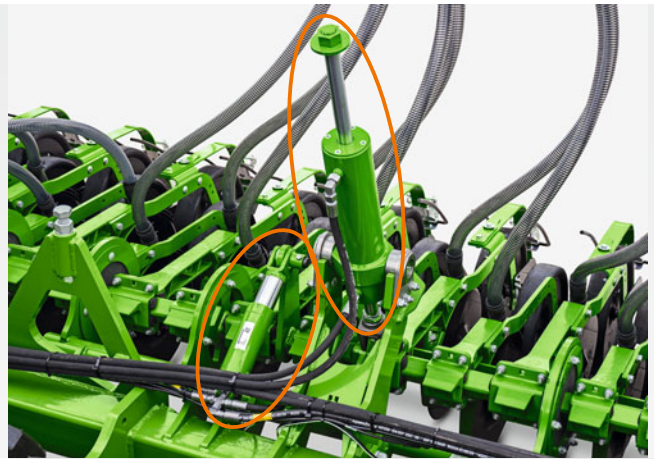
Using the high output TwinTeC plus coulters, AMAZONE equips the Cirrus with one of the most robust and most precise double disc coulters around. Thanks to its coulters pressure of up to 100 kg and its very good cutting performance, the TwinTeC plus double disc coulters also manages very well in hard and cloddy seedbed conditions. The basic body and the coulters bearing shell made of forged steel are equipped with sufficient reserves. Due to the high coulters pressure of the TwinTeC plus double disc coulters, the sowing performance is very precise even under mulch sowing

conditions with a high proportion of organic matter in the seedbed. Thanks to the innovative coulters pressure adjustment via an oil circuit, the coulters pressure is maintained even in very hilly terrain, so that the pre-set sowing depth is safely maintained.

The TwinTeC plus double disc coulters is completely maintenance-free and therefore fulfils the highest demands.

Electro-hydraulic remote control of the sowing depth and the coulters pressure via ISOBUS terminal equipped as standard.

Left: Cylinder for coulters pressure adjustment
Right: Sowing depth adjustment



The double discs

The sharp pre-tensioned discs with a 10° angle of attack ensure a good cutting performance of the coulters. The large 380 mm diameter discs ensure a smooth run. Thanks to the large coulters clearance of 190 mm and the connection to the depth guidance roller via the top-mounted coulters carrier, sufficient space remains, so that blockage-free operation is possible.

Seed guidance

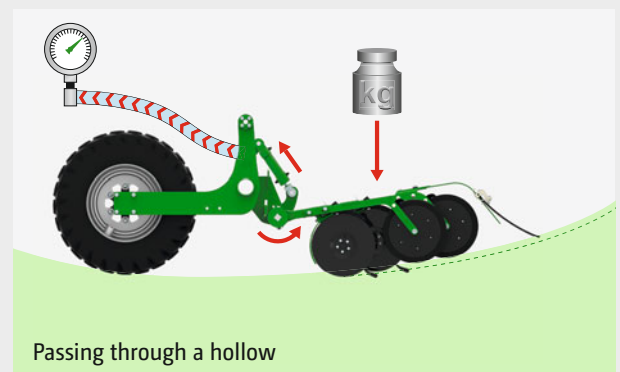
The guide extension and the seed catcher safely deliver the seed to the bottom of the furrow and prevent any bouncing out of the individual grains. The standard inner scraper, as an option also with hard metal wear plates, ensures the accurate operation even on sticky soils and noticeably increases the operational reliability.

Depth control

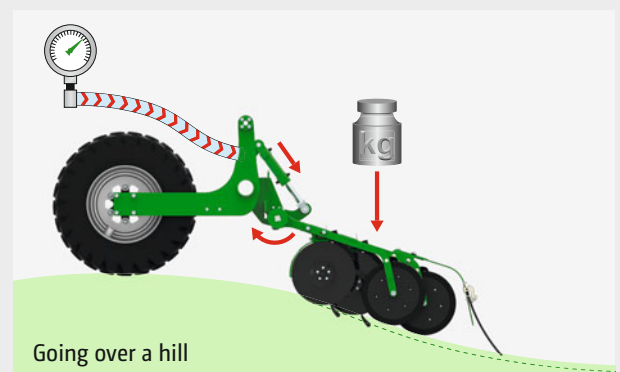
The parallel-guided depth control rollers provide the safe maintenance of the sowing depth on each individual coulters. The Control⁺ depth control rollers are available in widths of 50 mm, 65 mm and 75 mm. This means that the working performance of the machine is ensured on any soils from the lightest sand with poor carrying ability to the heaviest clay. Optional scrapers on the depth guidance roller ensure the even guidance of the coulters even under moist conditions.

TwinTeC plus coulters pressure

Setting the coulters pressure via the ISOBUS terminal is standard. The coulters reliably maintain the pressure selected. This is of special benefit when sowing shallow in very hilly terrain.



Hollow: when passing through a hollow, the coulters are pressed against the ground. This creates an overpressure in the coulters pressure cylinder which is transferred directly to the oil circuit. The coulters pressure remains constant.



Hilltop: the coulters are lowered when going over a hilltop. This results in an under-pressure in the coulters pressure cylinder which is immediately compensated for with additional oil from the circuit. The coulters pressure remains constant.

MEMBER OF



ISOBUS as the basis for intelligent communication

One language, many benefits!

Each ISOBUS-enabled machine from AMAZONE comes with the latest technology and almost unlimited possibilities. It makes no difference whether you use an operator terminal from AMAZONE or an ISOBUS terminal fitted directly in the tractor. ISOBUS is an internationally recognised standard for communication between the operator terminal, tractors and connected implements on the one hand and Farm Management Information Systems on the other.

Operation with a wide variety of ISOBUS terminals

Which means that ISOBUS enables you to take control of all your ISOBUS compatible equipment. You only have to connect the machine to the respective ISOBUS terminal and the usual operator interface appears on the monitor in your tractor cab.

Benefits of ISOBUS at a glance:

- ✔ This worldwide standard provides a uniform interface and data exchange format that ensures compatibility even with third party manufacturers
- ✔ Plug and Play between machine, tractor and additional ISOBUS implements





Perfectly developed machine operation from AMAZONE

AMAZONE machinery and operator terminals offer a range of functions which are very easy and safe to operate:

- ✔ Highest compatibility and function flexibility of your ISOBUS equipment
- ✔ No additional modules on the machine side. All ISOBUS machines from AMAZONE come ready-equipped with the necessary ISOBUS functions as standard
- ✔ Practice-oriented machine software and logical menu structure
- ✔ MiniView display with all AMAZONE terminals and additional ISOBUS terminals. See, for instance, the machine data in the map view
- ✔ Possibility of operating the machine via the tractor terminal or a twin terminal solution
- ✔ Flexible assignment of the map and machine view between the tractor terminal and the operator terminal
- ✔ Unique operating concept. Freely configurable displays and individual user interfaces for each driver
- ✔ Integrated TaskController data logger function



Clearly structured AMAZONE machine operation

Advantages of the AMAZONE machine software:

- ✔ User-oriented and intuitive
- ✔ Tailored to the machine
- ✔ Function scope above and beyond the ISOBUS standard

Clear display of the work menu in the AMAZONE machine operation



Technical data:

Cirrus Grand trailed cultivator drill



Excellent illumination of the coulter section, metering system and surrounding area for an optimum working result, even at night

	Cirrus 9004-2C Grand
Coulter system	TwinTeC plus
Row spacing (cm)	16.6
Working width (m)	9.00
Transport width (m)	2.99
Transport height (m)	3.97
Power requirement from (kW/hp)	300
Seed hopper capacity (l)	5,750
Fill height (m)	3.15
Hopper opening (m)	2.00x1.25x0.70
Linkage	Lower link cross shaft Cat. 3/4N/K700
Base weight from (kg)	13,100
Transport running gear	integrated
Number of Matrix tyres	18

Illustrations, content and technical data are not binding and may differ depending on the level of equipment. Country-specific road traffic regulations apply and must be complied with, meaning that special approval may be required. The permissible axle loads and total weights of the tractor should be checked. Not all the listed combination options are possible with all tractor manufacturers.

SL 3000 wheel mark eradicator frame

If required, the tractor track can be loosened with the wheel mark eradicators which are mounted on an intermediate frame between the drill and tractor. The wheel mark eradicators loosen but do not mix. The soil-engaging parts are hydraulically swivelled up when driving on headlands. Combination with a wide variety of implements for seed-bed preparation is also possible, e.g. with a Catros compact disc harrow.





AMAZONE



Illustrations, content and technical data are not binding and may differ depending on the level of equipment. Country-specific road traffic regulations apply and must be complied with, meaning that special approval may be required. The permissible axle loads and total weights of the tractor should be checked. Not all the listed combination options are possible with all tractor manufacturers.



AMAZONEN-WERKE H. DREYER SE & Co. KG

P. O. Box 51 · 49202 Hasbergen-Gaste/Germany

Phone +49 (0)5405 501-0 · Fax +49 (0)5405 501-193